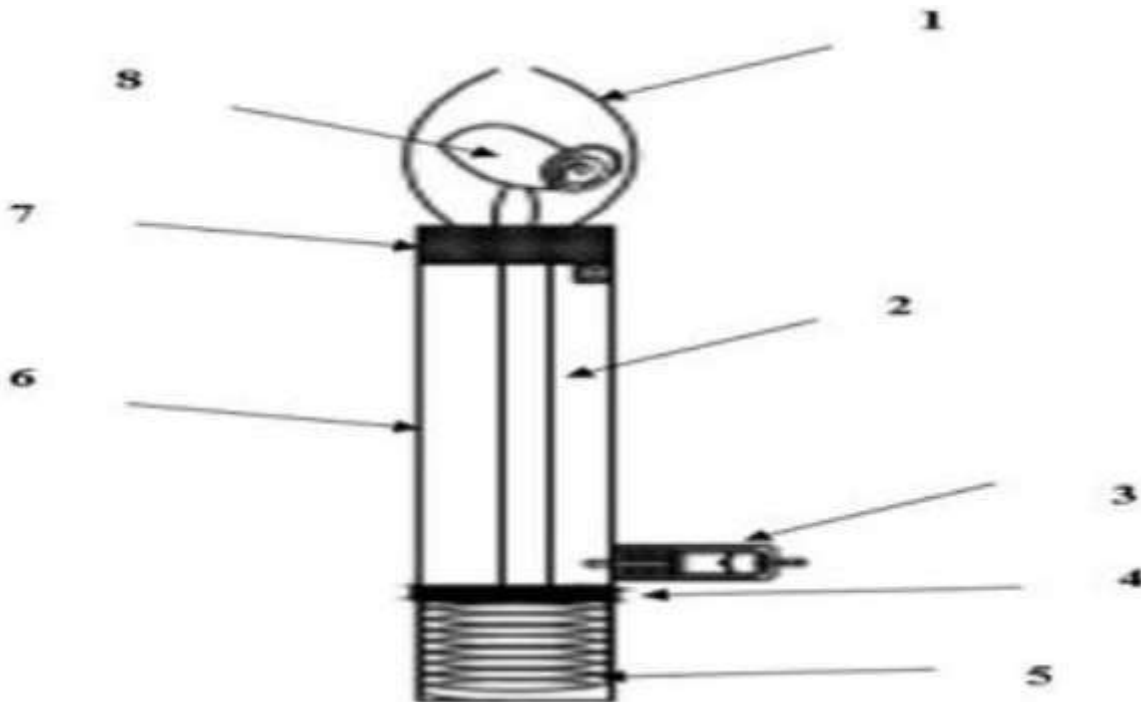


(54) Title of the invention : HYGIENIC URINAL DEVICE

(51) International classification	:E03D0013000000, E03D0005100000, G05D0001020000, A61G0009000000, G06F0001323100	(71)Name of Applicant : <b>1)CGC Technical Campus Jhanjeri</b> Address of Applicant :State Highway 12A Jhanjeri, Sahibzada Ajit Singh Nagar, Punjab 140307, India. Punjab India
(31) Priority Document No	:NA	(72)Name of Inventor : <b>1)Dr. Ashwani K. Sharma</b>
(32) Priority Date	:NA	
(33) Name of priority country	:NA	
(86) International Application No	:NA	
Filing Date	:NA	
(87) International Publication No	: NA	
(61) Patent of Addition to Application Number	:NA	
Filing Date	:NA	
(62) Divisional to Application Number	:NA	
Filing Date	:NA	

(57) Abstract :

The present invention relates to a funnel shaped movable urinal 1 that narrows down into an L-shaped tubular structure which is recessed on a wall to receive and navigate waste fluid into a sewer, a first moisture sensor mounted on lower portion of the urinal 1 for detecting spillage of the fluid, a second proximity sensor fitted on a wall to detect the presence of a user in front of the urinal 1, a hydraulic unit 4 incorporates a hydraulic pump operated via switch for creating pressure and a hydraulic lifter for pushing the urinal 1 forward upon receiving signal from the first sensor 2 and abandons the push upon receiving signal from the second sensor 3, a spring 5 connecting the urinal 1 to the wall for retracting back the urinal 1 once the unit abandons pushing the urinal 1 and a control unit linked to the device to activate and deactivate the unit upon receiving signal from the sensors.



No. of Pages : 12 No. of Claims : 7