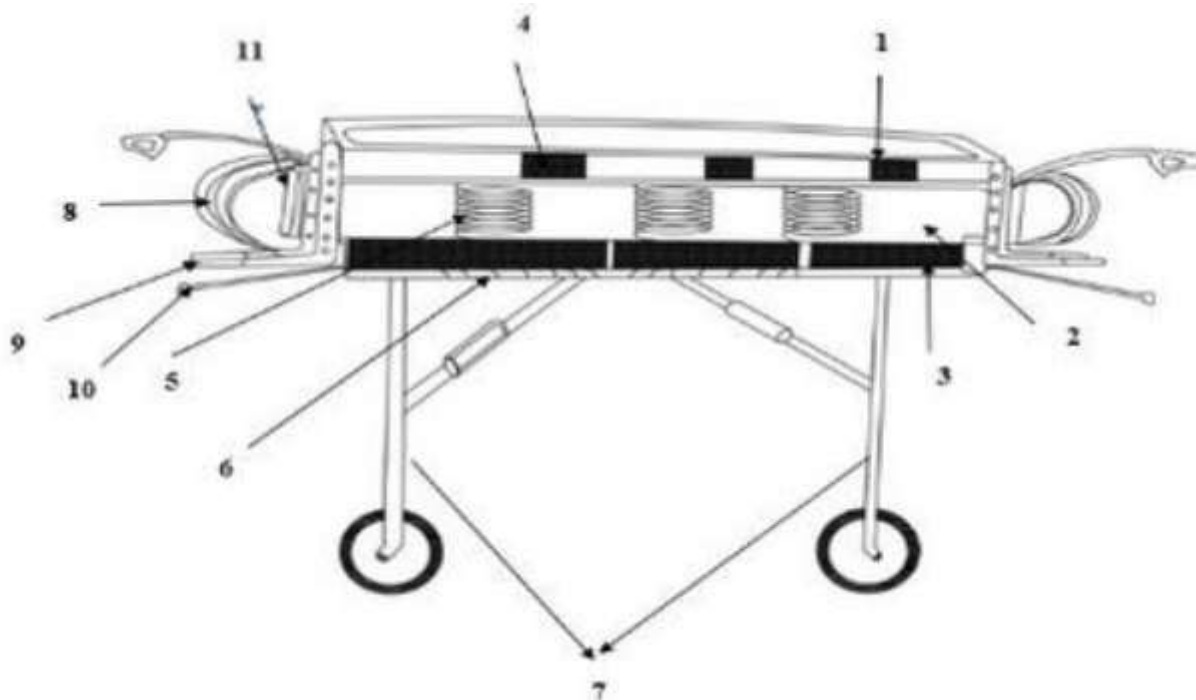


(54) Title of the invention : PATIENT TRANSPORTATION APPARATUS

<p>(51) International classification</p> <p>(31) Priority Document No</p> <p>(32) Priority Date</p> <p>(33) Name of priority country</p> <p>(86) International Application No Filing Date</p> <p>(87) International Publication No</p> <p>(61) Patent of Addition to Application Number Filing Date</p> <p>(62) Divisional to Application Number Filing Date</p>	<p>:B32B0007020000, E05F0015632000, A47C0031000000, A61N0001040000, G06F0003048400</p> <p>:NA</p> <p>:NA</p> <p>:NA</p> <p>:NA</p> <p>:NA</p> <p>:NA</p> <p>:NA</p> <p>:NA</p> <p>:NA</p> <p>:NA</p> <p>:NA</p>	<p>(71)Name of Applicant :</p> <p><b>1)CGC Technical Campus Jhanjeri</b> Address of Applicant :State Highway 12A Jhanjeri, Sahibzada Ajit Singh Nagar, Punjab 140307, India. Punjab India</p> <p>(72)Name of Inventor :</p> <p><b>1)Syed Junaid Qadri</b></p>
--	---	---

(57) Abstract :

A medical lifting apparatus comprises of a mattress positioned on a roller assembly wherein the mattress comprises of a first layer 1, a second layer 2 and a third layer 3, plurality of strips installed on the first layer 1 for preventing a victim from injury in case of a jerk, plurality of spring(s) 5 embedded in the second layer 2 for absorbing shock in case of the jerk, an air-tube 6 associated with the third layer 3 for floating the body on water surface to prevent the user from adverse climatic conditions, at least two suspender 8 in association with a handle 9 connected with the body for moving the apparatus from mean position to final position, wherein, the suspender 8 reduces tension on an arm of a rescuer by shifting weight of the victim on shoulder of the rescuer.



No. of Pages : 13 No. of Claims : 8