

(54) Title of the invention : CLEANING DEVICE

(51) International classification :A01G0020430000,
B03C0003100000,
A47L0007000000,
B03C0003800000,
A47L0005240000

(31) Priority Document No :NA
(32) Priority Date :NA
(33) Name of priority country :NA
(86) International Application No :NA
Filing Date :NA
(87) International Publication No : NA
(61) Patent of Addition to Application Number :NA
Filing Date :NA
(62) Divisional to Application Number :NA
Filing Date :NA

(71)Name of Applicant :
1)CGC Technical Campus Jhanjeri
Address of Applicant :State Highway 12A Jhanjeri, Sahibzada
Ajit Singh Nagar, Punjab 140307, India. Punjab India

(72)Name of Inventor :
1)Girish Chandra Mishra

(57) Abstract :

The present invention relates to a cleaning device, comprises a shell type frame 11 having an air inlet and air outlet to pass air during suction, two concentric pipes 4, 5 i.e. outer pipe 4 for scrapping ash 1 and inner pipe 5 for sucking the ash 1 from a vent or flue 3, a fan 8 equipped with motor to perform deposited ash 1 sucking, a filter bag 7 to collect and store the ash 1, multiple rollers 2 having the motor to move the pipes 4, 5 to direction of vent during cleaning and multiple springs that elongates or compress as per the shape of vent to adjust the rollers 2 for free movement inside the flue 3.

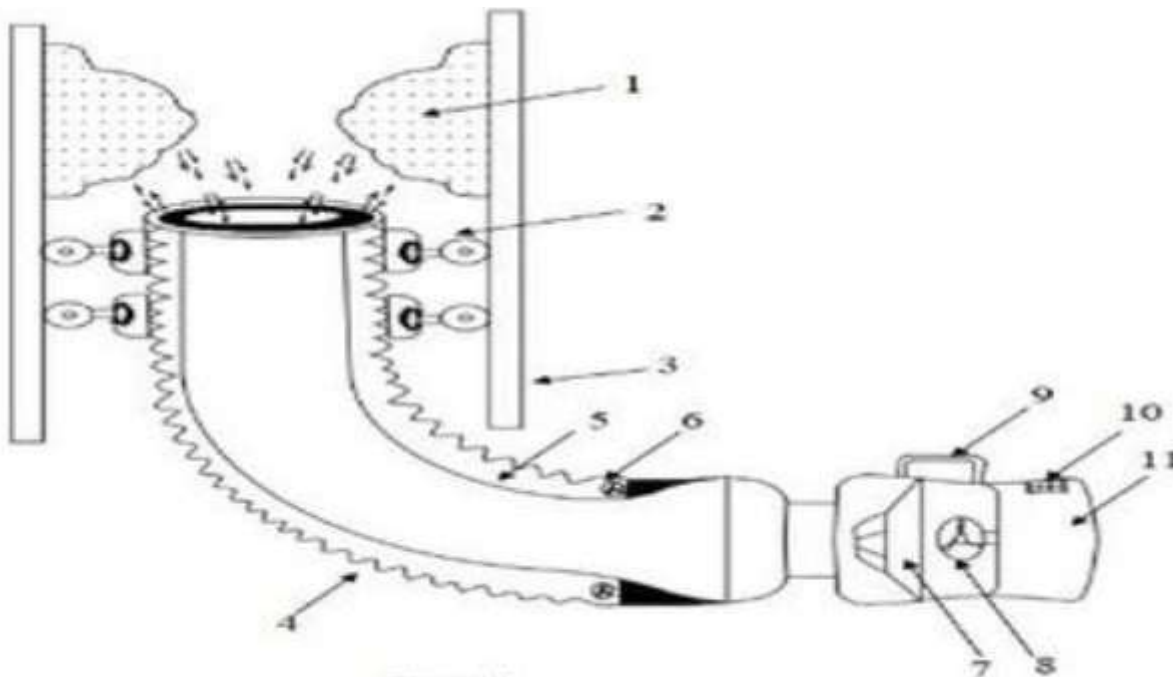


Figure 1

No. of Pages : 12 No. of Claims : 7