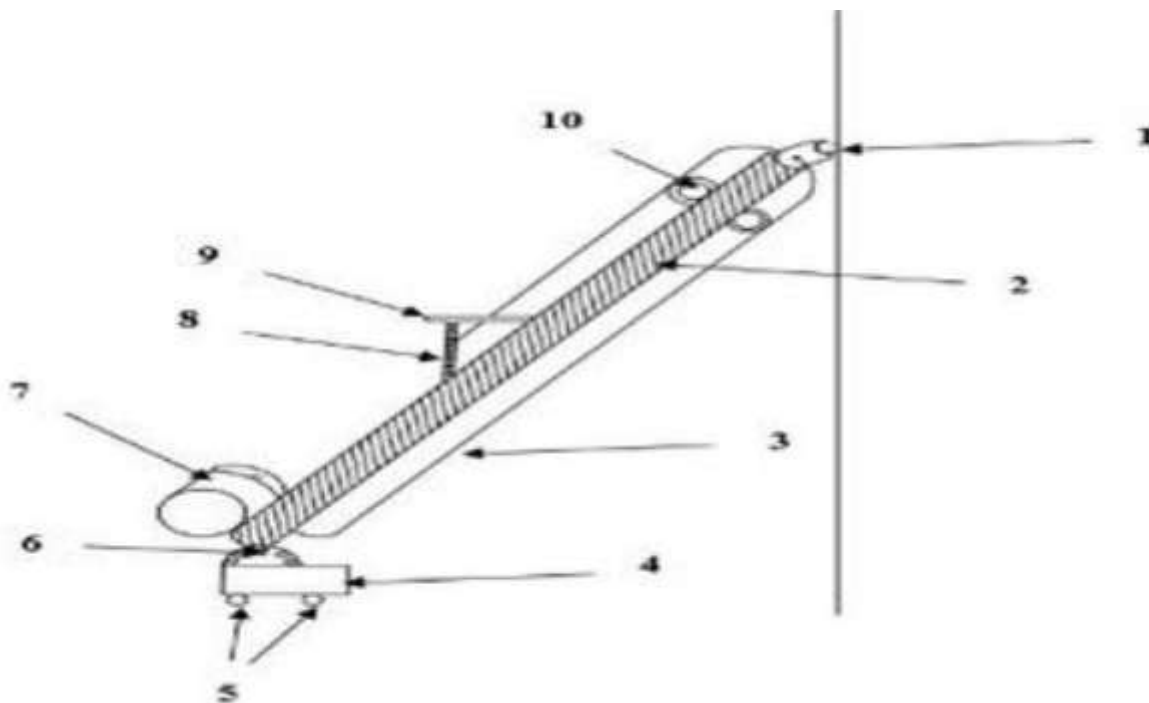


(54) Title of the invention : MOBILE STAIR DEVICE

(51) International classification	:B65G0041000000, B60R0003000000, E06C0007420000, E06C0001300000, B08B0003020000	(71)Name of Applicant : <b>1)CGC Technical Campus Jhanjeri</b> Address of Applicant :State Highway 12A Jhanjeri, Sahibzada Ajit Singh Nagar, Punjab 140307, India. Punjab India
(31) Priority Document No	:NA	(72)Name of Inventor : <b>1)Amit Sindher</b>
(32) Priority Date	:NA	
(33) Name of priority country	:NA	
(86) International Application No	:NA	
Filing Date	:NA	
(87) International Publication No	: NA	
(61) Patent of Addition to Application Number	:NA	
Filing Date	:NA	
(62) Divisional to Application Number	:NA	
Filing Date	:NA	

(57) Abstract :

The present invention relates to a mobile stair device comprising of a portable base 4 with installed four wheels 5 to provide portability to the stair device which is operated by the user via remote control, a telescopic ladder 2 fixed on the top of the portable base 4 to provide a bridge for a user to reach desired point also base of the ladder 2 is attached to locking clamp 6 with base to alter recline angle of ladder 2, one platform 9 mounted on the ladder 2 with the help of rollers to carry user, one electric hoist 7 with reeled steel cable 3 installed with the ladder 2 at its base coupled with the platform 9 to provide upward or downward motion and carry user to desired location/height.



No. of Pages : 12 No. of Claims : 7