

(54) Title of the invention : HEAT DISSIPATING DEVICE

(51) International classification :F25B0040000000,
B08B0001000000,
G11B0017028000,
B01F0007000000,
F04D0029380000

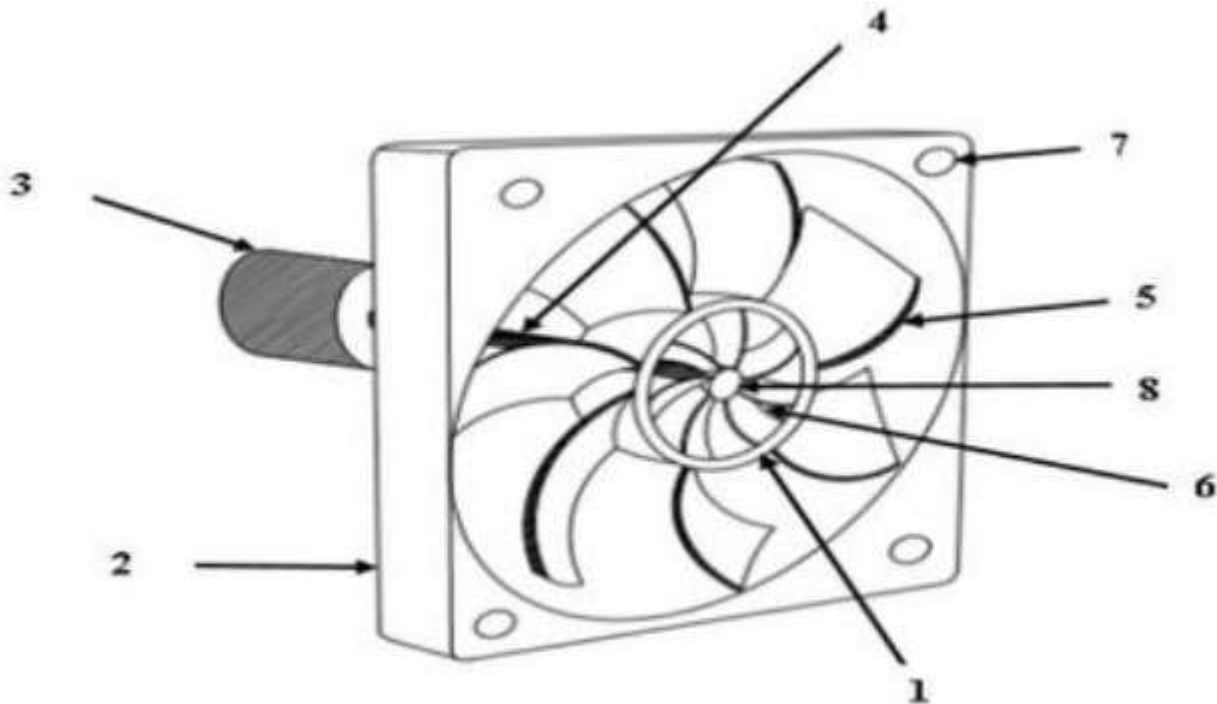
(31) Priority Document No :NA
(32) Priority Date :NA
(33) Name of priority country :NA
(86) International Application No :NA
Filing Date :NA
(87) International Publication No : NA
(61) Patent of Addition to Application Number :NA
Filing Date :NA
(62) Divisional to Application Number :NA
Filing Date :NA

(71)Name of Applicant :
1)CGC Technical Campus Jhanjeri
Address of Applicant :State Highway 12A Jhanjeri, Sahibzada
Ajit Singh Nagar, Punjab 140307, India Punjab India

(72)Name of Inventor :
1)Dr. Rajeev Kumar

(57) Abstract :

The present invention relates to a heat dissipating device comprising of a hub 1 in association with a frame 2 connected with a motor 3 via a shaft 4, wherein the hub 1 rotates upon actuation of the motor 3, plurality of external blades 5 attached over the circumference of the hub 1 for withdrawing air from an interior of the frame 2 toward a front side of the frame 2 by undergoing rotation, plurality of internal blades 6 incorporated with the hub 1 for dissipating an internal heat generated from the heat dissipating device upon undergoing rotation.



No. of Pages : 10 No. of Claims : 7